

# CHALET® PT OFFICE

DOUBLE-ACTION DOOR HINGE - SELFCLOSING



## TECHNICAL DETAILS

- + Selfclosing door hinge
- + Stepless adjustable zero-position
- + Adjustable closing force
- + No visible screws on the clamping plate
- + Glassthickness 10 or 12 mm
- + Max door width 1000 mm (min 500 mm)
- + Max door height 2800 mm
- + Max door leaf weight per hinge pair 100 kg
- + Basematerial: highquality brass

# CHALET<sup>®</sup> PT OFFICE

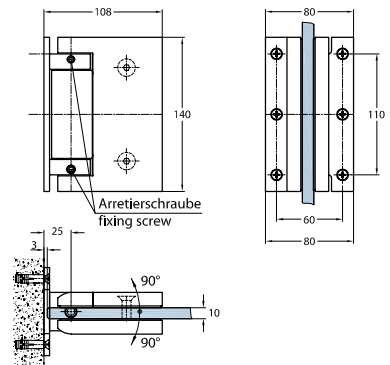
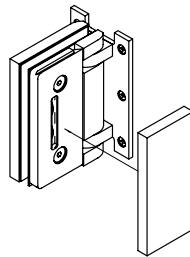
DOUBLE-ACTION DOOR HINGE - SELF-CLOSING



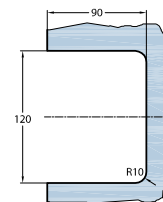
**Art. No. 94840**

Glass-Wall 90°  
 for 10 mm Glass

available in surface 55



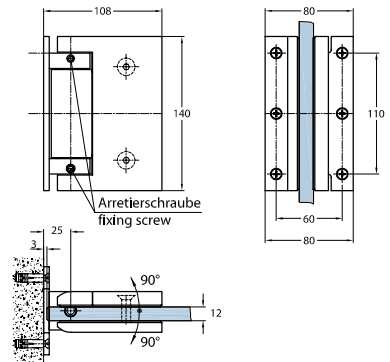
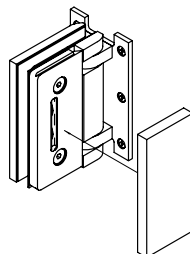
Glasbearbeitung // glass machining



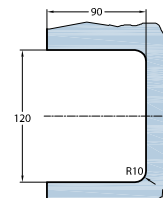
**Art. No. 94842**

Glass-Wall 90°  
 for 10 mm Glass

available in surface 55



Glasbearbeitung // glass machining



For more informations and technical details, please consult our technical catalogue.

